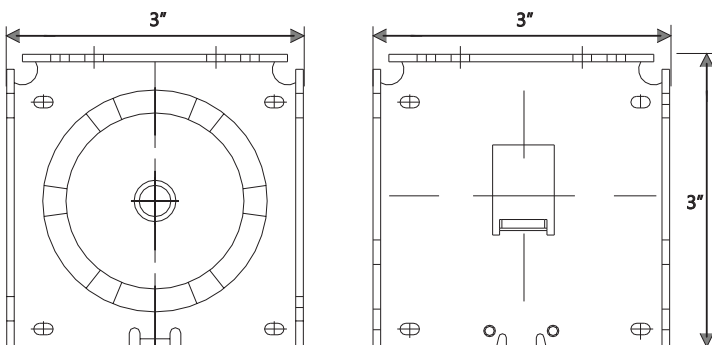


SYSTEM COMPONENTS

- ① Crown and Drive
- ② Sonesse 40 Motor
- ③ Motor Adaptor Plate with Screws
- ④ Bracket End Cap
- ⑤ 3" or 4" Fascia Bracket
- ⑥ Idle End Plug
- ⑦ 1 1/2" Tube, Available in 1 3/4" Tube
- ⑧ Motor Fascia Bracket
- ⑨ Fabric Spline
- ⑩ 3" or 4" Squared Fascia
- ⑪ Hembar

BRACKET FOR 3" FASCIA



BRACKET FOR 4" FASCIA

