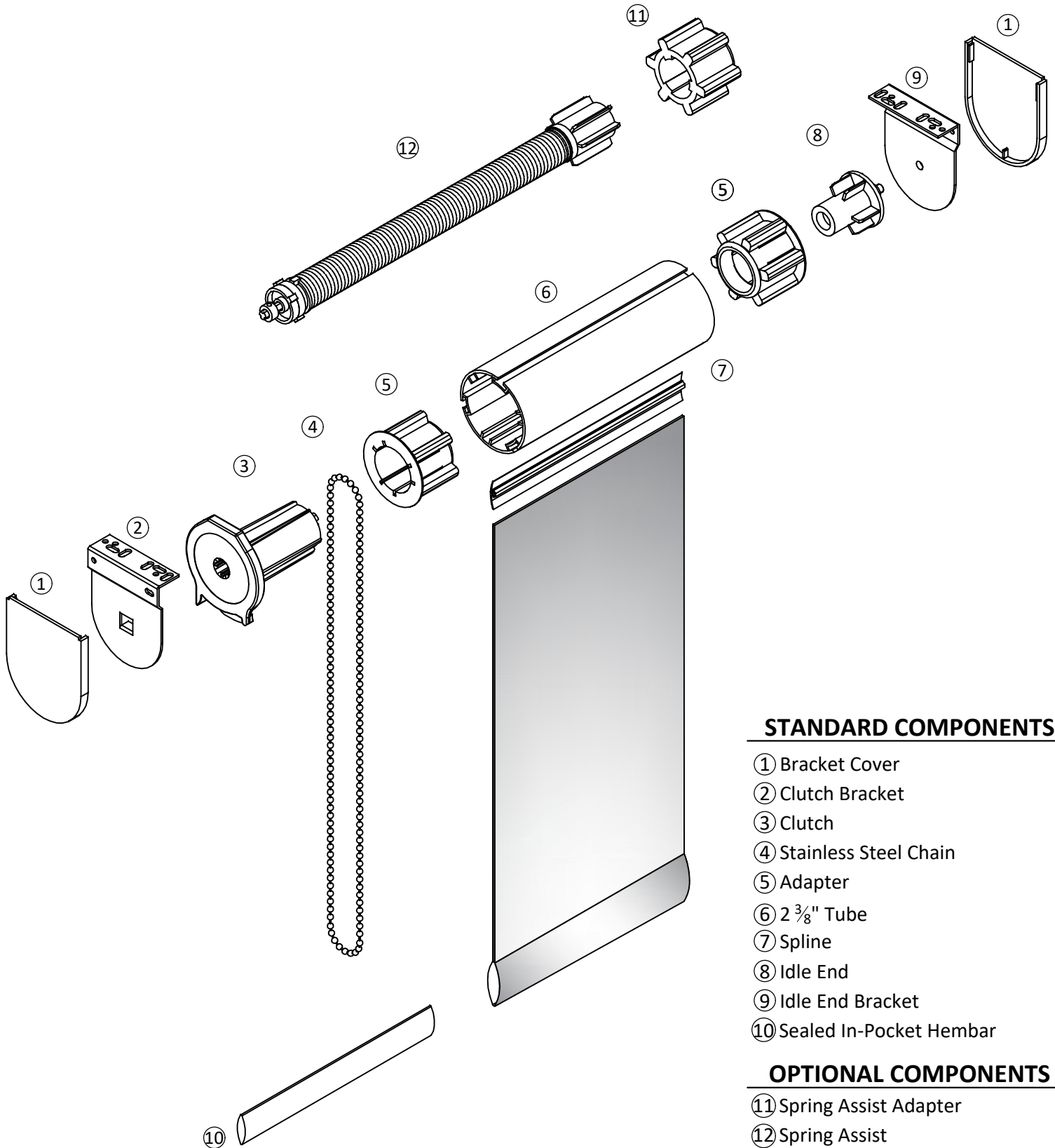


## MANUAL SX16 ROLLER SHADE SYSTEM 2 3/8" DIAMETER TUBE



### STANDARD COMPONENTS

- ① Bracket Cover
- ② Clutch Bracket
- ③ Clutch
- ④ Stainless Steel Chain
- ⑤ Adapter
- ⑥ 2 3/8" Tube
- ⑦ Spline
- ⑧ Idle End
- ⑨ Idle End Bracket
- ⑩ Sealed In-Pocket Hembar

### OPTIONAL COMPONENTS

- ⑪ Spring Assist Adapter
- ⑫ Spring Assist
- ④ Stainless Steel Chain - Black Finish or White Finish
- Plastic Chain - Black or White