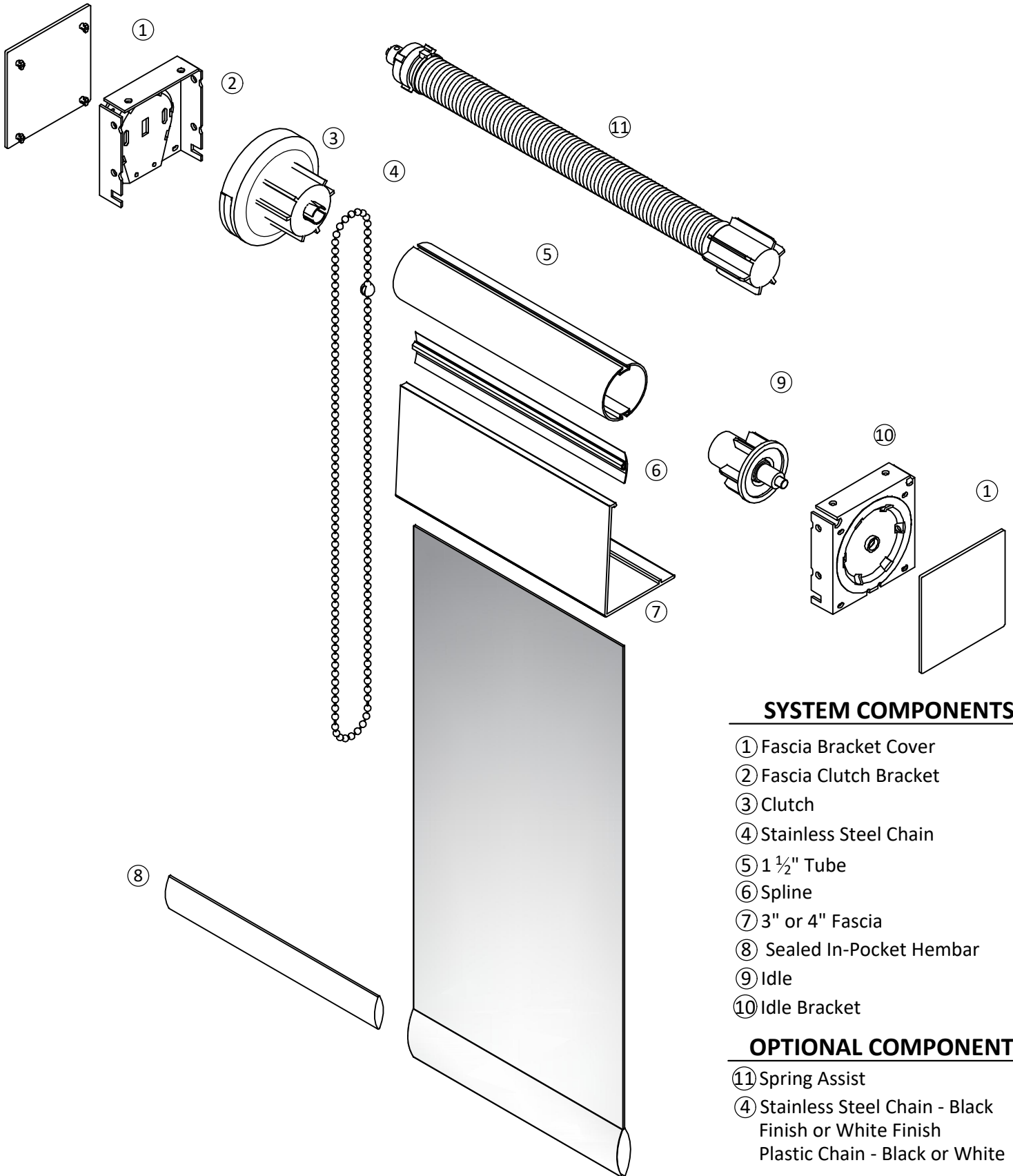


MANUAL S16 ROLLER SHADE SYSTEM

1 ½" DIAMETER TUBE WITH 3" OR 4" FASCIA



SYSTEM COMPONENTS

- ① Fascia Bracket Cover
- ② Fascia Clutch Bracket
- ③ Clutch
- ④ Stainless Steel Chain
- ⑤ 1 ½" Tube
- ⑥ Spline
- ⑦ 3" or 4" Fascia
- ⑧ Sealed In-Pocket Hembar
- ⑨ Idle
- ⑩ Idle Bracket

OPTIONAL COMPONENTS

- ⑪ Spring Assist
- ④ Stainless Steel Chain - Black Finish or White Finish
- Plastic Chain - Black or White