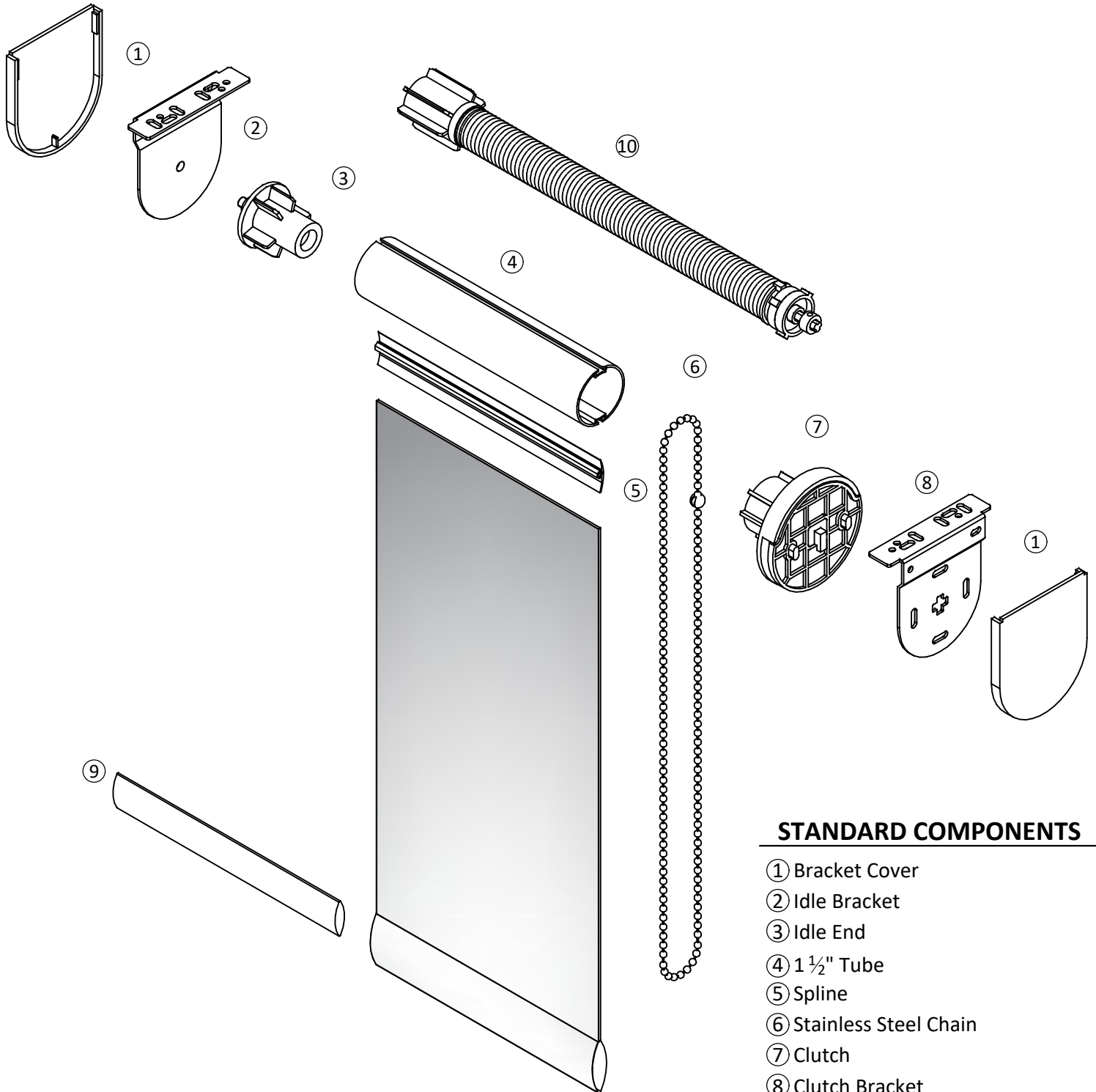


MANUAL S16 ROLLER SHADE SYSTEM

1 1/2" DIAMETER TUBE



STANDARD COMPONENTS

- ① Bracket Cover
- ② Idle Bracket
- ③ Idle End
- ④ 1 1/2" Tube
- ⑤ Spline
- ⑥ Stainless Steel Chain
- ⑦ Clutch
- ⑧ Clutch Bracket
- ⑨ Sealed In-Pocket Hembar

OPTIONAL COMPONENTS

- ⑩ Spring Assist
- ⑥ Stainless Steel Chain - Black Finish or White Finish
- Plastic Chain - Black or White